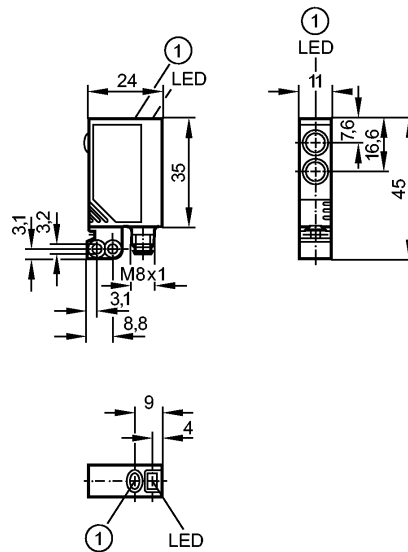


**OJ5022**

OJB-FPKG/SO/AS

Photoelectric sensors



1: pushbutton



**Product characteristics**

Diffuse reflection sensor	
Rectangular, plastics	
Quick disconnect	
Electronic lock	
External teach function	
Side sensing	
Range 1...600mm (Range referred to white paper 200 x 200 mm, 90 % remission)	
adjustable	

**Electrical data**

Electrical design		DC PNP
Operating voltage	[V]	10...30 DC
Current consumption	[mA]	< 22
Type of light		red light 660 nm
Protection class		III
Reverse polarity protection		yes

**Outputs**

Output function		light-on / dark-on programmable
Voltage drop	[V]	< 2.5
Current rating	[mA]	200
Short-circuit protection		yes (non-latching)
Overload protection		yes
Switching frequency	[Hz]	2000

**Monitoring range**

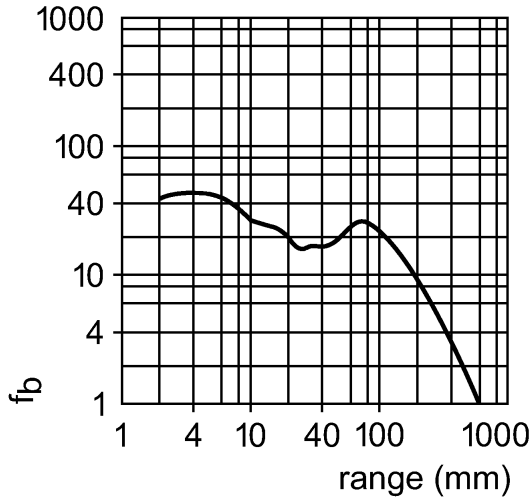
Range	[mm]	1...600 (Range referred to white paper 200 x 200 mm, 90 % remission)
Light spot diameter	[mm]	60 ( at maximum range )

**Excess gain graphs**

**OJ5022**

OJB-FPKG/SO/AS

Photoelectric sensors



**Environment**

Ambient temperature	[°C]	-25...60
Protection		IP 67

**Tests / approvals**

EMC		EN 60947-5-2
MTTF	[Years]	854

**Mechanical data**

Housing materials	housing: ABS; fixture: diecast zinc; LED window: SEPS; pushbutton: SEPS	
Lens material	glass	
Weight	[kg]	0.041

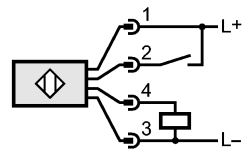
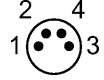
**Displays / operating elements**

Output status indication	LED	yellow
Power	LED	green
Function display	LED	red

**Electrical connection**

Connection	M8 connector
------------	--------------

**Wiring**



2: Teach

**Accessories**

Accessories (included)	Basic clip; E20964; 2 mounting screws; M3 x 16; 2 spring washers; 2 nuts
------------------------	--

**Remarks**

Remarks	cULus - Class 2 source required
---------	---------------------------------

Pack quantity	[piece]	1
---------------	---------	---