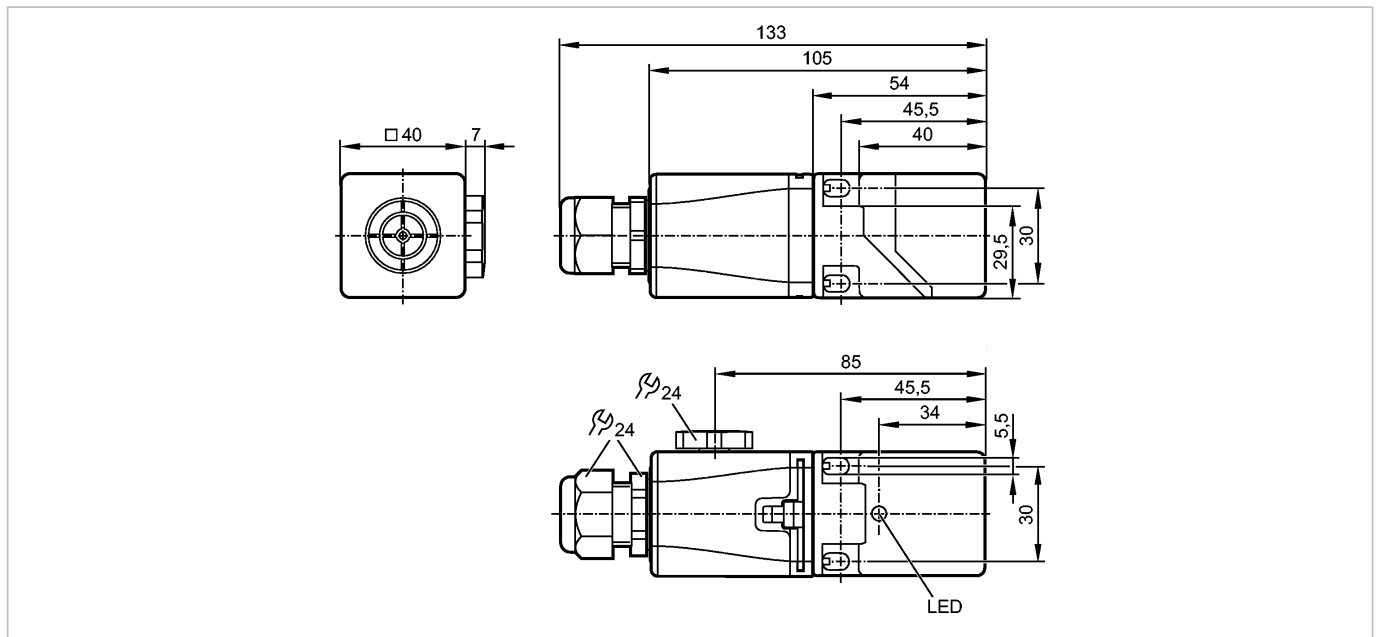


IM506A

IME3020BFPKG/3D

Inductive sensors



Product characteristics

Inductive sensor

Rectangular, plastics

Terminals

ATEX approval

Group II, category 3D

Sensing range 20 mm; [f] flush mountable

Electrical data

Electrical design		DC
Operating voltage	[V]	10...30 DC
Current consumption	[mA]	< 15
Protection class		III
Reverse polarity protection		yes

Outputs

Output function		normally open / closed programmable
Voltage drop	[V]	< 2.5
Leakage current	[mA]	< 0.5
Current rating	[mA]	200
Short-circuit proof		yes
Overload protection		yes
Switching frequency	[Hz]	100

Monitoring range

Sensing range	[mm]	20
Real sensing range (Sr)	[mm]	20 ± 10 %
Operating distance	[mm]	0...16.2

Accuracy / deviations

Correction factors		mild steel = 1 / stainless steel approx. 0.7 / brass approx. 0.4 / aluminium approx. 0.3 / copper approx. 0.2
Hysteresis	[% of Sr]	1...20

IM506A

IME3020BFPKG/3D

Inductive sensors

Switch-point drift	[% of Sr]	-10...10
--------------------	-----------	----------

Environment

Ambient temperature	[°C]	-20...60
Protection		IP 65 / IP 67

Tests / approvals

Marking of the unit		Ⓔ II 3D Ex tc IIIC T95°C Dc X
EMC		EN 60947-5-2 2008-08
MTTF	[Years]	1326

Mechanical data

Mounting		flush mountable
Housing materials		PC; PA; stainless steel
Weight	[kg]	0.238

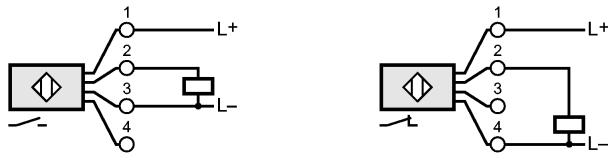
Displays / operating elements

Output status indication	LED	yellow
--------------------------	-----	--------

Electrical connection

Connection		Terminals 0.34 to 1.5 mm ² ; cable diameter 5...9 mm
------------	--	---

Wiring



Remarks

Remarks	Recommendation: check the unit for reliable function after a short circuit. 5 positions of the active zone possible
---------	--

Pack quantity	[piece]	1
---------------	---------	---